



### Specification

A microbore hose with hose burst valve has been incorporated within the kit to prevent injury occurring as a result of hose whip. Hose whip can occur due to the sudden release of energy. When a hose fails it could cause serious harm to personnel in the vicinity.

### Benefits

Each kit comes with a Microbore Hose which offers greater flexibility and is easier to use than a standard hose. Other key benefits of the Microbore hose design are:-

- ◆ Reduced flow rate to minimize the possibility of a bursting bladder during precharging
- ◆ Detachable gas bottle adaptor that can be changed without replacing whole assembly.
- ◆ Olaer specially designed flow restriction hose burst valve that prevents hose whip and potential injury in the case of hose failure.
- ◆ The hose burst valve will close if the nitrogen supply is too high or if the supply valve was opened too fast.
- ◆ After closing the nitrogen supply valve there will be a short delay before the safety valve automatically opens again.

Other benefits of this kit include:-

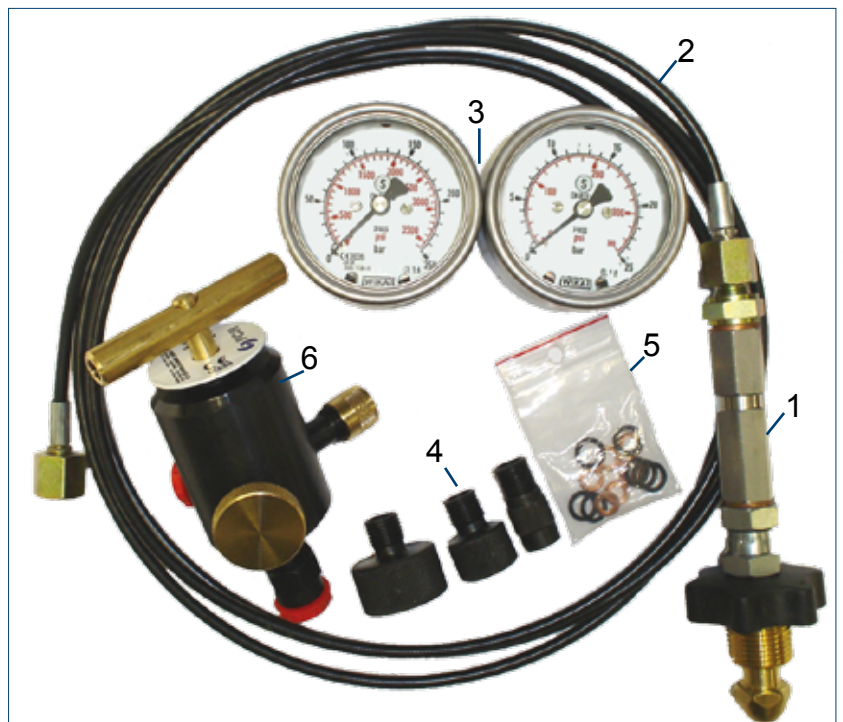
- ◆ The charging body can be used as a stand alone device which permits precharge checking.
- ◆ Maximum working pressure: 400 bar
- ◆ A wide selection of gauges are available for inclusion in this kit
- ◆ Each kit contains 3 different charging adaptors which will accommodate the majority of European bladder and piston accumulators.
- ◆ Spare seals included
- ◆ All parts in the kit are contained within a foam filled damage resistant, polypropylene case.



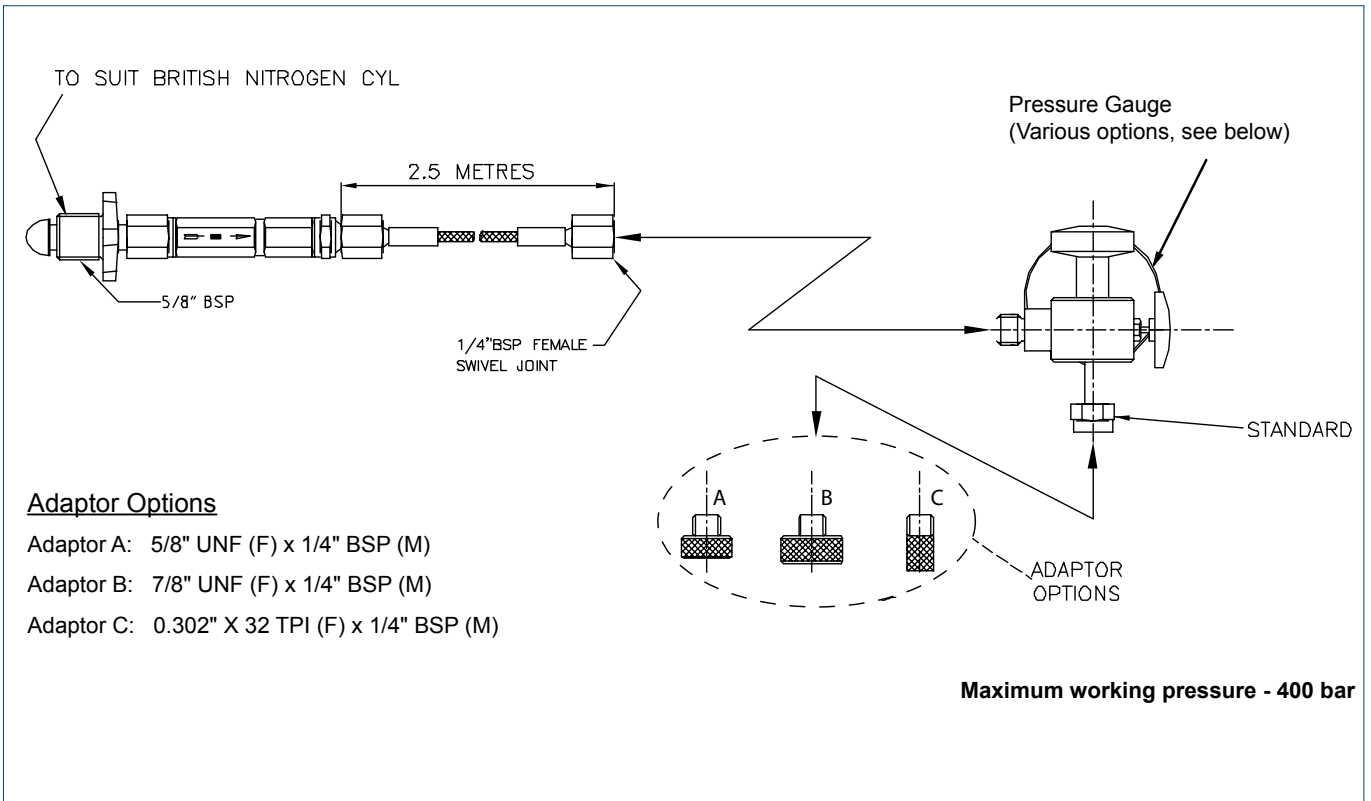
### Contents

Each Charging Kit contains:

1. Hose burst valve
2. Microbore hose
3. Safety pattern pressure gauges
4. Charging adaptors
5. Spare seals
6. Charging set body
7. Protective Case (Not labelled, see picture above)



Drawing for Charging Kit with Host Burst Valve - 10607-\*\*



Assembly Part Number						Component Part	
10607-01	10607-02	10607-03	10607-04	10607-05	10607-06	Charging Kit Assembly	Part No.
1	1	1	1	1	1	Olaer charging set	10608-V10
1	1	1	1	1	1	Charging hose assembly	10609
1				1		Pressure gauge 0 - 25 bar	45083-099
1			1		1	Pressure gauge 0 - 250 bar	45086-099
	1		1			Pressure gauge 0 - 60 bar	45084-099
	1					Pressure gauge 0 - 400 bar	45087-099
		1				Pressure gauge 0 - 10 bar	45117-099
		1		1	1	Pressure gauge 0 - 160 bar	45085-099

Olaer Hose Burst Valve



### Precharging

#### **USE ONLY oxygen-free DRY NITROGEN GAS.**

1. All accumulators are supplied without precharge unless a precharge pressure is specified when ordering. Prior to applying hydraulic pressure to the system all accumulators must be precharged with nitrogen.
2. Check details of accumulator on label and shell for maximum working pressure. The maximum hydraulic system pressure must not exceed the MWP of the accumulator.
3. Always use a nitrogen pressure regulator valve when the accumulator shell pressure rating is lower than gas pressure in nitrogen cylinder.
4. Precharge pressures vary with operating conditions. CONSULT FCH if no precharge has been previously recommended. For a guide the following values can be used; - Storage application: 90% of minimum allowable system pressure, Shock application: 90% of flow pressure at accumulator position, Pulsation application: 70% of mean pumping pressure, **NB.** Allowing precharge to fall below 20% of maximum system pressure in a bladder accumulator may cause **premature failure of the bladder**. Excessive precharge pressures in relation to minimum system pressure may cause failures of the bladder and/or poppet valve and in piston accumulators, may cause excessive stresses due to the piston frequently contacting the end cap.
5. **Ensure that moving parts such as bladders and pistons are adequately lubricated with system fluid before commencing precharging. This is especially important where the system fluid is of low viscosity e.g. water based.**

**CONSULT FCH FOR FURTHER INFORMATION.**

### PRECHARGING PROCEDURE

The following procedures should be adopted for safe precharging of accumulators.

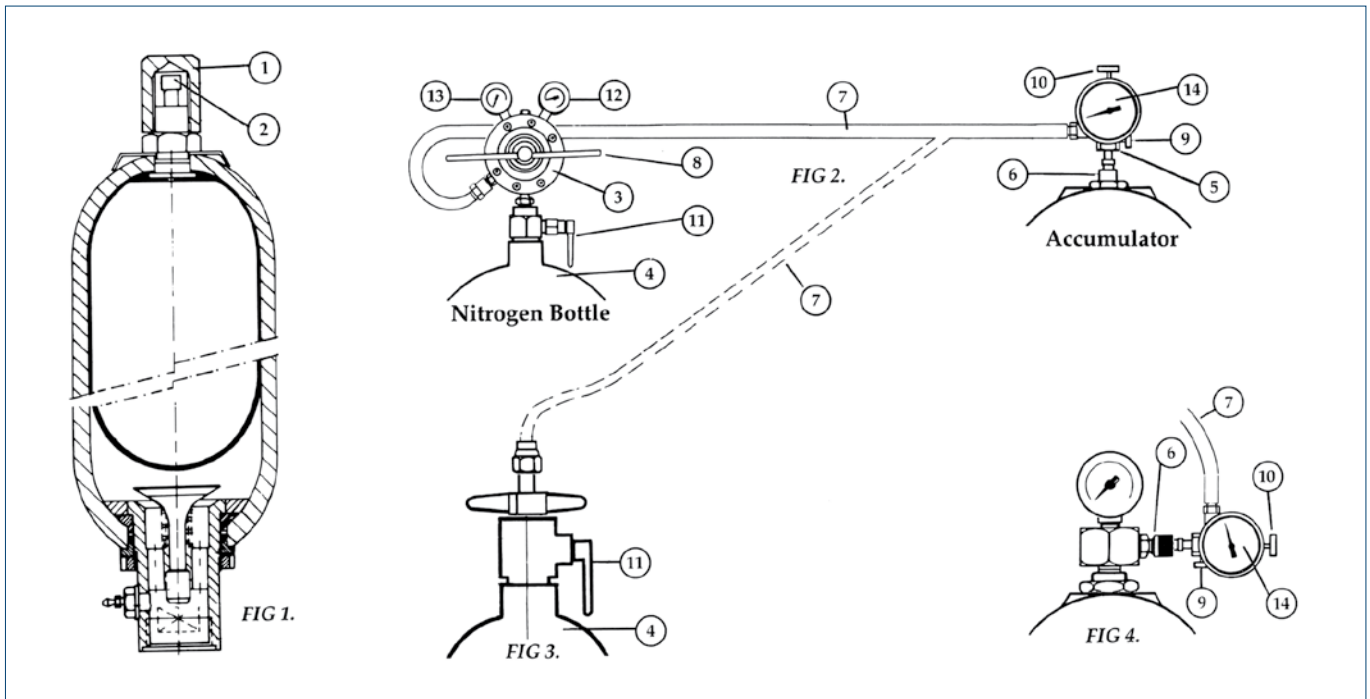
For accumulators having a working pressure less than the nitrogen source refer to fig.2.

For accumulators having a working pressure equal to or greater than the nitrogen source refer to fig.3. see note 4.

For accumulators fitted with a permanent charging set refer to fig.4.

### Procedure 1.– Using a Nitrogen Pressure Regulator Valve (NPRV) fig.2.

- Remove protective cap (1) if fitted and sealing cap (2).
- Attach NPRV (3) to nitrogen cylinder (4). Ensure centre spindle (10) is fully unwound.
- Attach charging set (5) to accumulator gas valve assembly (6) and connect charging hose (7) between NPRV (3) and charging set connection.
- Back off handle (8) anti-clockwise until loose, check gas bleed valve (9) on charging set is closed and screw handwheel (10) clockwise to open gas valve. **Do not screw knob down tight.**
- Open nitrogen cylinder valve by turning key (11), cylinder pressure will register on right-hand gauge (12). This pressure should be checked against the required precharge pressure.
- Turn handle (8) clockwise until outlet pressure on left-hand gauge (13) registers 10% higher than required precharge pressure. When pressure on the charging set and outlet gauges are equal, close nitrogen cylinder valve.
- Turn handwheel (10) anti-clockwise to seal gas valve.
- Crack bleed valve (9) to exhaust gas from charging hose and remove hose from charging set and replace hose connection sealing cap.
- Close bleed valve, turn handwheel (10) clockwise to open gas valve. **Do not screw knob down tight.** Crack bleed valve (9) to vent down to required precharge pressure. Close bleed valve.
- Turn handwheel (10) anti-clockwise to reseal gas valve, crack bleed valve and remove charging set from accumulator.
- Test gas valve for leaks using a leak detection spray or a soapy water solution.
- Replace sealing cap (2), tighten with pliers, and protective cap (1) if fitted.



**Procedure 2. – Nitrogen Pressure Regulator Valve (NPRV) not required fig.2,3 & 4.**

- Remove protective cap (1) if fitted and sealing cap (2).
- Attach charging set (5) to accumulator gas valve assembly (6). Ensure centre spindle (10) is fully unwound.
- Connect charging hose (7) to nitrogen cylinder (4) using the appropriate adaptor, and attach the free end to the charging set.
- Turn handwheel (10) clockwise to open gas valve. Do not screw knob down tight. Slowly open nitrogen cylinder by turning key (11).
- Allow pressure on the gauge (14) to read slightly in excess of required precharge and then close nitrogen cylinder valve.
- Turn handwheel (10) anti-clockwise to seal gas valve.
- Crack bleed valve (9) to exhaust gas from charging hose and remove hose from charging set and replace hose connection sealing cap.

**Procedure 3. – Permanent Charging Set fitted fig.4.**

Follow steps of Procedures 1 or 2 as appropriate but connect to the permanent charging set as shown in fig.4.



THE OLAER GROUP: **AUSTRALIA** Olaer FCH. Tel. +61 2 9981 6888. **AUSTRIA** Olaer Austria GmbH. Tel: +43 7229 80306. **BELGIUM** S.A. Olaer Benelux Tel: +32 2 466 15 15. **CZECH REPUBLIC** Olaer CZ s.r.o. Tel: +42 5 47125 601-8. **DENMARK** Oiltech DK. Tel: +45 86 69 20 38. **FINLAND** Oiltech Hydraulics OY. Tel: +358 9 413 755 00. **FRANCE** Olaer Industries S.A. Tel: +33 1 4119 1700. **GERMANY** Olaer Industries GmbH. Tel: +49 6842 9204-0. **HOLLAND** Olaer Nederland B.V. Tel: +31 76 5412453. **INDIA** FCH India Tel: + 91 80 28437690 91. **ITALY** Olaer Italiana S.p.A. Tel: +39 0119918511. **KOREA** Hyundai Olaer Hydraulic Co. Tel: +82 31 499 0897. **NORWAY** Oiltech AS. Tel: +47 64 91 1180. **POLAND** Oiltech Polska Tel: +48 22 6738162. **SOUTH AFRICA** FCH c/o Rolton Products CC. Tel: +27 11 474 3095. **SPAIN** Olaer-Oiltech Iberica SAU Tel: +34 933 368 900. **SWEDEN** Oiltech AB. Tel: +46 8 636 07 00. **SWITZERLAND** Olaer (Schweiz) AG. Tel: + 41 26 492 70 00. **UK** FCH Ltd. Tel: +44 1244 535515. **USA** Oil Air Hydraulics Inc. Tel: +1 713 937 89 00.